

Transformer 5-step fan speed control unit ~1 230 V, 50Hz with 2 separate 5 step switches

- Mains supply ~1 230 V, 50 Hz
- Output for RV 1,5 - RV 3: 115 V / 135 V / 155 V / 180 V / 230 V
- Output for RV 4 - RV 11: 80 V / 120 V / 140 V / 170 V / 230 V
- Integrated status signal lamp
- Additional voltage output 230 V, max. 1 A
- Autotransformer's overheating protection
- Motor protection function through connection of thermal contacts
- Max. ambient temperature +40° C

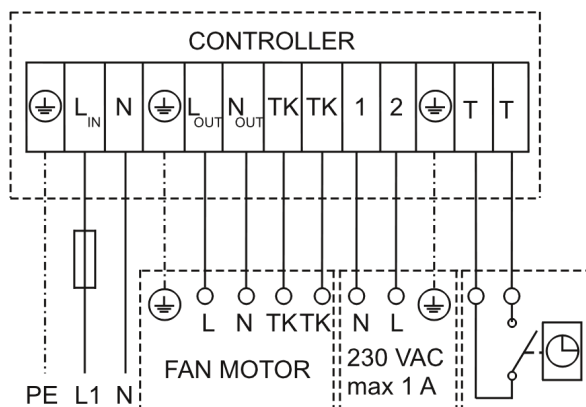


A single-phase transformer which controls the fan speed by changing voltage. The control knobs on the front of the unit with 5 fixed voltage steps is used to adjust fan speed. There is motor and transformer thermo protection function. Controller also has power switch with indication led. Two different motor rotation speeds can be selected by 2 step switches built into a controller. Motor rotating speed switching can be carried via external contact, i.e. through timer switch, room thermostat, manual change over switch, etc.

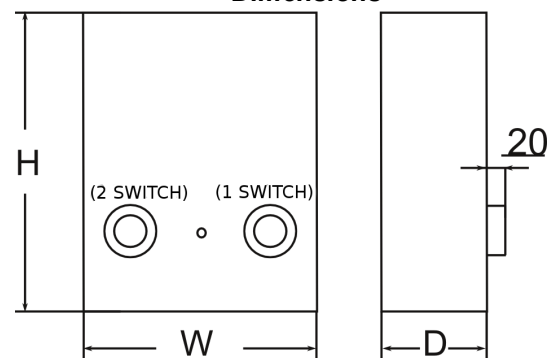
More than one motor can be connected to one controller, if total current of all controllers is less than maximum controller current. In this case all motors' thermo protections must be connected in series.

Art.-no.	Type name	Max. current, A	Dimensions (H×W×D/mm)	Protection class	Weight, kg
PV-7001	Tr.5 step controller RV 1,5-2	1,5	175×125×75	IP54	1,8
PV-7002	Tr.5 step controller RV 2,2-2	2,2	175×125×75	IP54	2,35
PV-7003	Tr.5 step controller RV 3-2	3,0	175×125×100	IP54	3,3
PV-7004	Tr.5 step controller RV 4-2	4,0	240×190x125	IP54	4,1
PV-7005	Tr.5 step controller RV 5-2	5,0	240×190x125	IP54	4,4
PV-7006	Tr.5 step controller RV 7-2	7,0	240×190x125	IP54	6,5
PV-7007	Tr.5 step controller RV 11-2	11,0	240×190x125	IP54	8,2

Connection diagram



Dimensions



The company reserves the right to make changes to technical data without prior notice